

LAGAFORS® SATELLITE STATION VMS-DC / VMS-DCT



DESCRIPTION & FUNCTION

Lagafors® Variable Media Satellite, VMS-DC (decentralized), is a hygienically designed satellite station made in stainless steel for water rinsing, foam application and disinfection. The VMS-DC is wall mounted in production areas/kitchens and suitable for water pressures between 5-160 bar. The satellite station has suction hoses with distinctive markings for chemicals and disinfectant. With an easy grip the operator changes between the different medias. Portable containers with chemical concentrate are placed near the satellite station. Compressed air is connected to the VMS-DC unit. For capacity increase, the VMS-DCT offers distribution of up to three different chemicals (e.g. alkaline chemicals, acid chemicals and disinfectant).

The VMS-DC consists of:

- Ball valves for water, chemicals and air.
- Suction hoses for chemicals and disinfectant.
- Chemical/disinfectant injector.
- Removable stainless steel cabinet for easy maintenance.

Features	Benefits	Facts
Stainless steel construction	Hygienic and robust material	Suitable for food processing facilities and restaurants
Suction hoses	Easy to change between different chemicals	Time saving
Easy to install and connect	Time effective	Lower installation costs
Few parts	Time and cost efficient service	Reduced maintenance costs

DECENTRALIZED
CLEANING SYSTEM

TECHNICAL INFORMATION

Lagafors® Variable Media Satellite VMS-DC/VMS-DCT

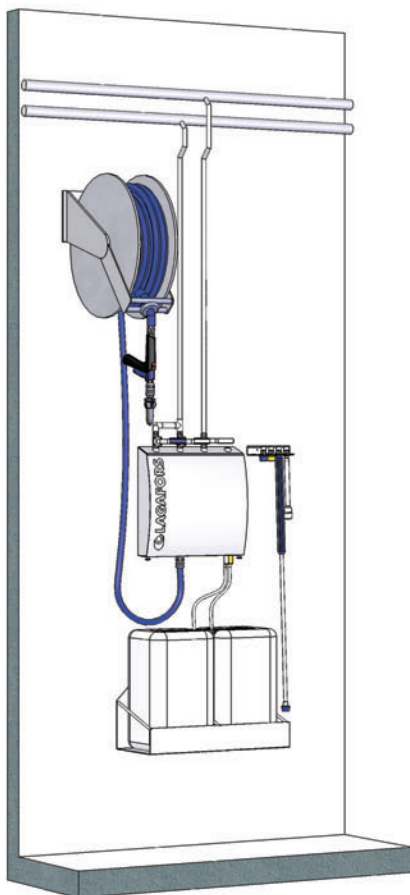
Connections incoming water					
Water pressure	5-10 bar **	15-25 bar	35-45 bar	60-100 bar	100-160 bar
Dimension	ISO-G 3/8" int. thread	ISO-G 3/8" int. thread	ISO-G 3/8" int. thread	ISO-G 3/8" int. thread	ISO-G 3/8" int. thread
Connections incoming air					
Air pressure	6-8 bar	6-8 bar	6-8 bar	6-8 bar	6-8 bar
Flow, min	50 l/min	50 l/min	50 l/min	50 l/min	50 l/min
Dimension	ISO-G 3/8" int. thread	ISO-G 3/8" int. thread	ISO-G 3/8" int. thread	ISO-G 3/8" int. thread	ISO-G 3/8" int. thread
Dosage					
Chemicals*	ca 5-7%	ca 5%	ca 5%	ca 5%	ca 5%
Disinfectant*	ca 1.5%	ca 1.5%	ca 1.5%	ca 1.5%	ca 1.5%
Dimensions					
Measurements WxDxH	440 x 112 x 435 mm	440 x 112 x 435 mm	440 x 112 x 435 mm	440 x 112 x 435 mm	440 x 112 x 435 mm

* Factory set values may need adjustments to local conditions e.g. water pressure, chemical viscosity etc. Colour coded nozzles are supplied to facilitate this process.

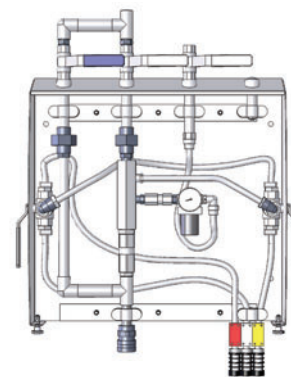
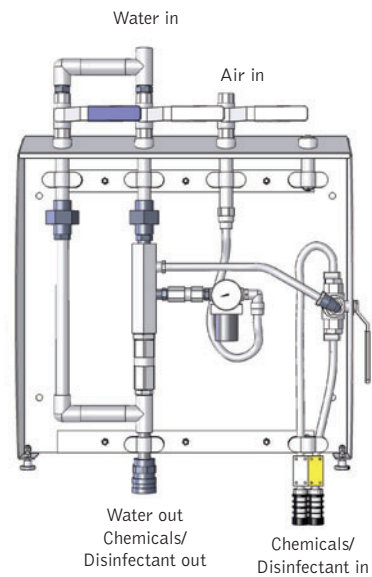
** Incoming water pressure and dosing affects the foam quality, use a hose min. 1/2" with a maximum length of 20 metres.

The data is subject to variation and the producer reserves the right to change design specifications without notice.

0902



Hose reel and canister holder are optional.
The hose reel increases the life cycle of the hose and provides good hygiene.



VMS-DCT

Local distributor: